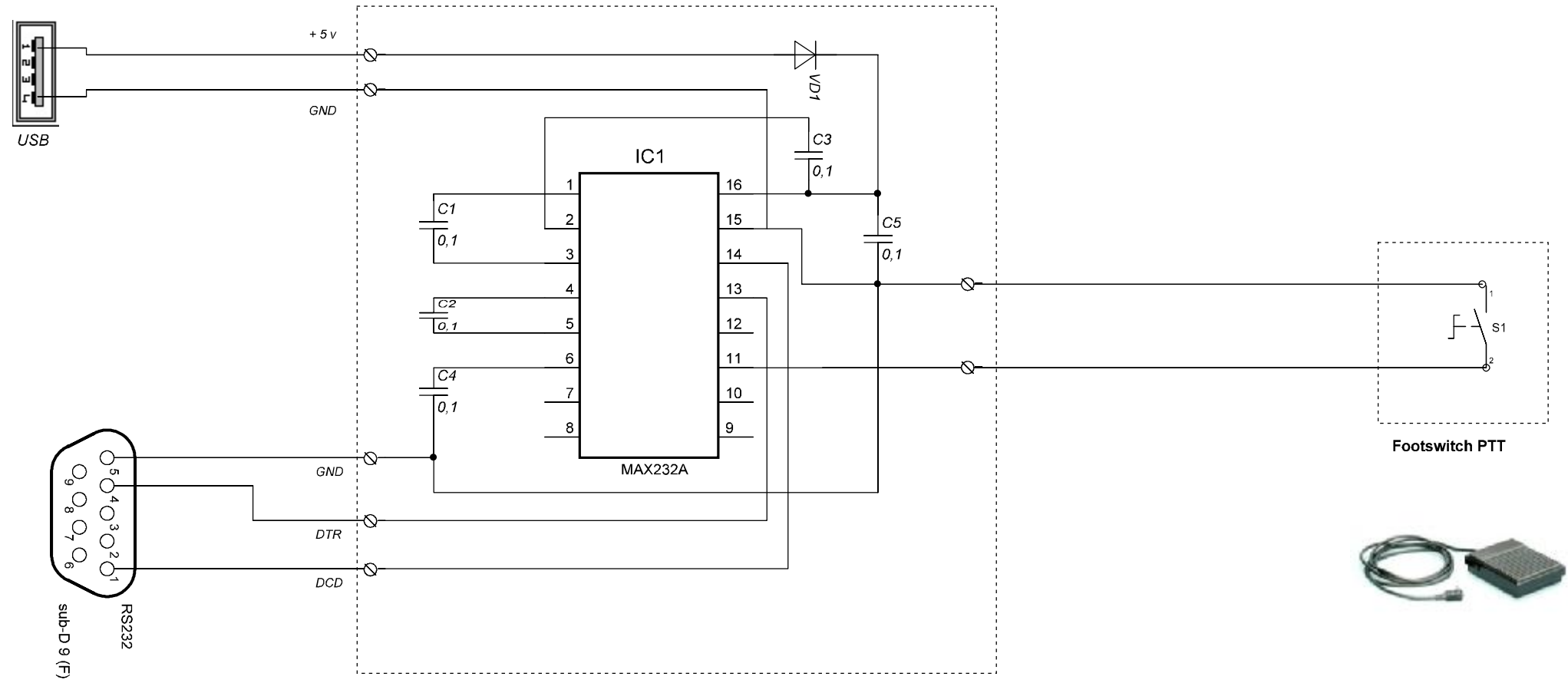


RS232 Footswitch connector for TRBOnet software.



A detailed description of the chip MAX232A: <http://datasheets.maxim-ic.com/en/ds/MAX220-MAX249.pdf>