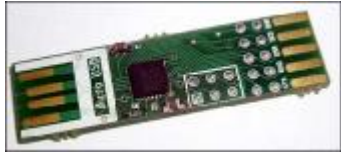


USB <> UART adapter.
example BM8051



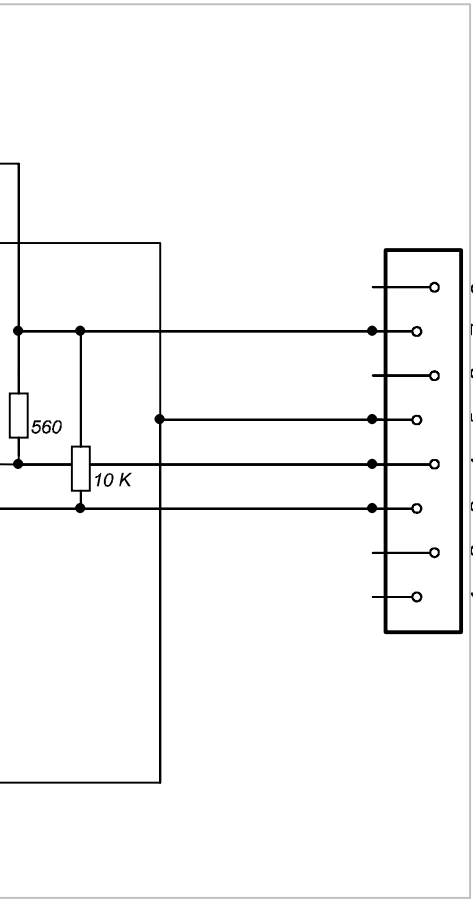
DCD

+5V

GND

<-----< PTT

<-----< Audio



RJ 45 female

